

Technical Information

No. 5872

Edition: 12/14

Substitutes: 06/14

Status: valid

Xenon Short Arc Lamp

XBO[®] 3000 W/DHP L OFR

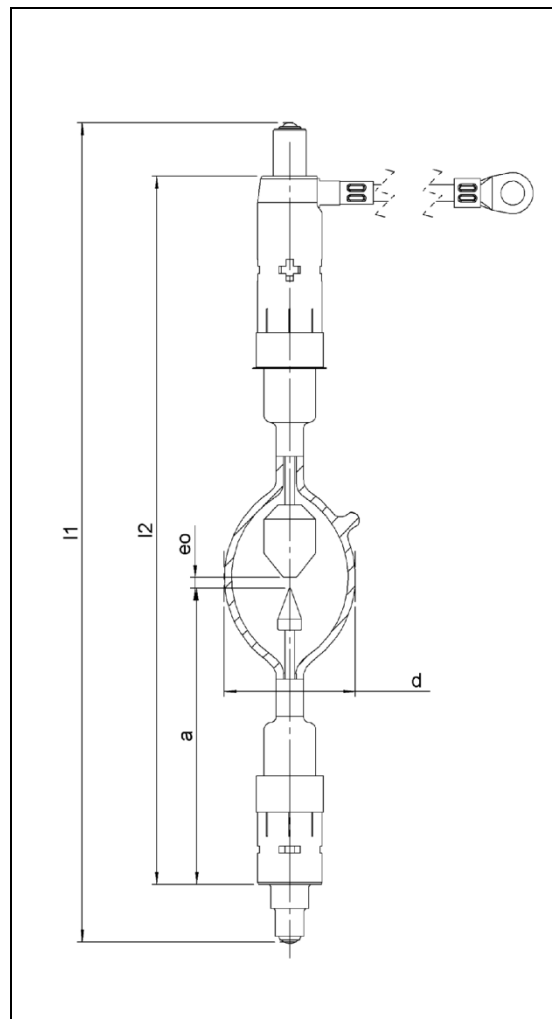
■ Product description

The OSRAM XBO[®] 3000 W/DHP L OFR is a DC operated lamp, which especially has been designed for applications, requiring highest level of performance in luminance and excellent arc stability. The XBO[®] 3000 W/DHP L OFR will fit the latest technical digital cinema projection requirements and will perform best within Barco digital projectors (DP2K-15C; DP2K-11CX; DP2K-18CX; DP2K-20C; DP2K/DP4K-19B; DP2K/DP4K-23B).

■ Technical data

Order reference	XBO [®] 3000 W/DHP L OFR	
Minimum lamp wattage	W	2100
Maximal lamp wattage	W	3000
Rated lamp voltage	V	29
Rated lamp current (=)	A	103
Current control range	A	76 - 111
Ignition voltage	kV _p	40
Min. open circuit voltage for ignition	V	120
Electrode gap e (cold)	mm	5,0
Lamp length (overall) l ₁	mm	max. 345
Lamp length l ₂	mm	max. 295
Cable length	mm	max. 130+5
LCL a	mm	123
Bulb diameter d, max.	mm	60
Warranty	h	1700
Service Warranty ²⁾	h	2000
Base	Cathode:	SFc27-16/55
Anode side cable 130mm	Anode:	SFaX27-14x95.5

- 1) b = luminance half width value; h = electrode gap (hot) of running lamp
2) Covers rupture effects in the projector, like reflector and first filter in front of the lamp.



■ Lamp operation

Maximum permissible base temperature	°C	230
Cooling requirements	forced cooling / fan	
Min. air flow velocity around discharge vessel	m/s	7
Operating position	s 15 (vertical ± 15°; anode up) ; p 15 (horizontal ± 15°)	

Detailed electrical lamp operation is described in our Guidelines for Power Supplies and Igniters, no. DO GL- 5549